

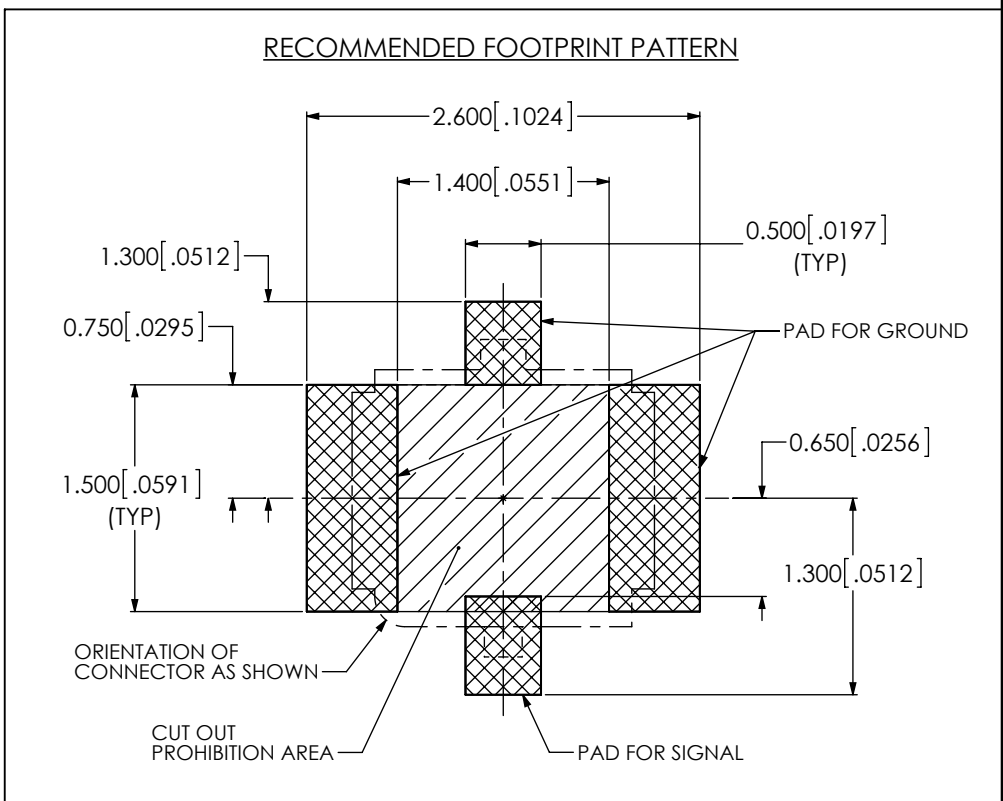
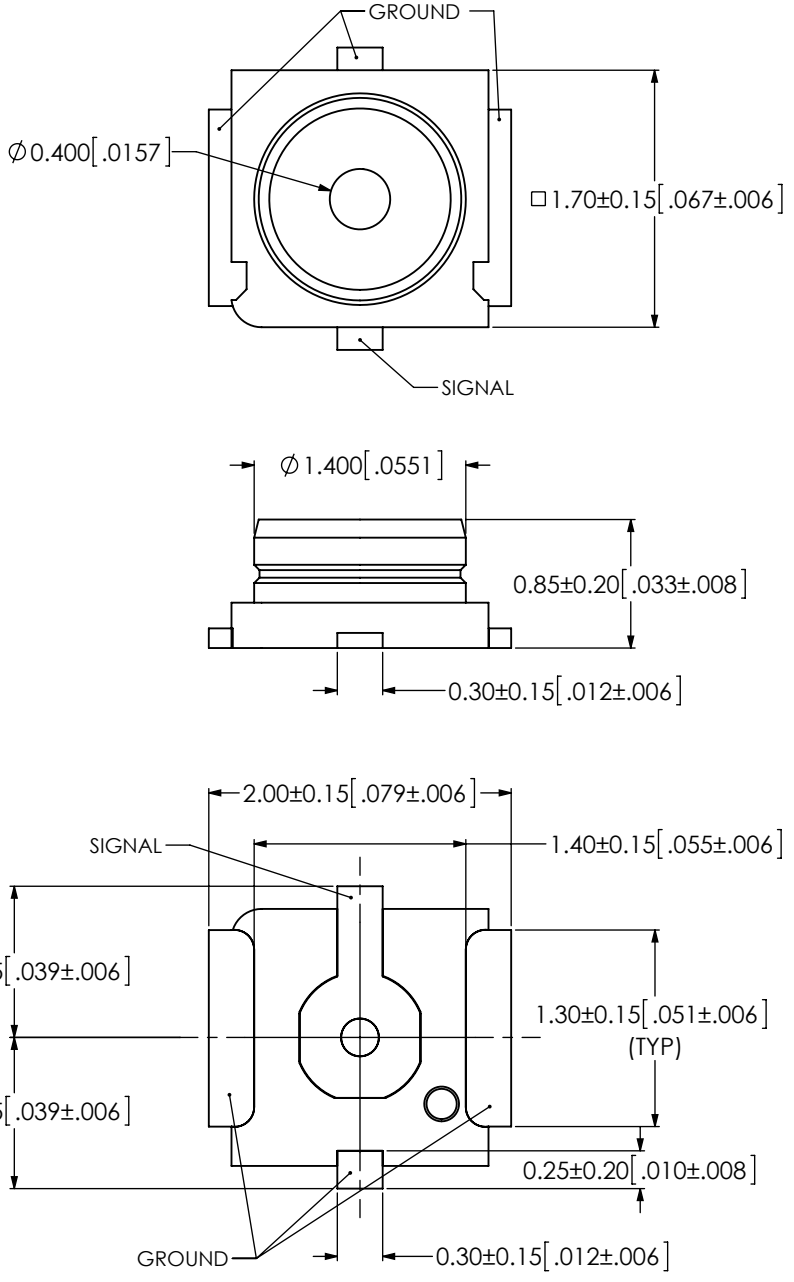
REVISION J

DO NOT SCALE FROM THIS PRINT

- NOTES:
 1. **NOT AVAILABLE AS STANDARD.**
 2. Ⓢ REPRESENTS A CRITICAL DIMENSION.
 3. PARTS TO BE PACKAGED IN TAPE & REEL.
 4. MULTIPLES OF 5000 REQUIRED TO PACKAGE ON A REEL. QUANTITIES UNDER 5000 PCS WILL BE SHIPPED IN POCKETS WITH COVER TAPE BUT NOT ON A REEL.
 5. ROHS COMPLIANT.

SPECIFICATIONS:
ELECTRICAL RATINGS

IMPEDANCE	50 Ω
RATED FREQUENCY	0 ~ 6 GHz
VSWR	1.5 MAX



UNLESS OTHERWISE SPECIFIED, DIMENSIONS ARE IN MILLIMETERS
 TOLERANCES ARE:
 DECIMALS ANGLES
 X.XX: ± 0.10 5°
 X.XXX: ± 0.050

PROPRIETARY NOTE
 THIS DOCUMENT CONTAINS INFORMATION CONFIDENTIAL AND PROPRIETARY TO SAMTEC, INC. AND SHALL NOT BE REPRODUCED OR TRANSFERRED TO OTHER DOCUMENTS OR DISCLOSED TO OTHERS OR USED FOR ANY PURPOSE OTHER THAN THAT WHICH IT WAS OBTAINED WITHOUT THE EXPRESSED WRITTEN CONSENT OF SAMTEC, INC.

520 PARK EAST BLVD. NEW ALBANY, IN 47150
 PHONE: 812-944-6733 FAX: 812-948-5047
 e-Mail: info@SAMTEC.com code: 55322

DO NOT SCALE DRAWING SHEET SCALE: 20:1
 PLATING:
 CONTACT AREA: .000030 GOLD OVER .000050 NICKEL
 REMAINDER: .000200 REF TIN OVER .000050 NICKEL

DESCRIPTION:
 I-PEX MHF III CONNECTOR RECEPTACLE
 DWG. NO. **RSP-122811-02**
 BY: TIM P. 03/28/2006 SHEET 1 OF 1

ITEM NO.	PART NUMBER
1	RSP-122811-02