

# High performance video signal switcher

## Five inputs Dual Circuits

### Video Signal Switchers



BA7626F,BA7626FS

No.11066EAT01

#### ●Description

The BA7626F/FS is a 5-input video signal switching circuit with a broadband 6 dB amplifier that was developed for AV amplifier input switching. Just by devising a transistor buffer in the output, player switching of two VCR or other videotape players and three DVD players or other playback devices is possible. Moreover, input switching and switching of recording to a VCR or other device also can be performed independently. Since the input circuit of the BA7626F/FS is terminated by 20kΩ impedance, it is suited to not only video signal but also chroma signal or audio signal switching.

#### ●Features

- 1) 5 input line, 3 output line switching
- 2) Built-in 6 dB amplifier
- 3) 5V operating voltage
- 4) 20kΩ input impedance

#### ●Applications

AV amplifiers, Video selectors, etc.

#### ●Line up matrix

Part No.	BA7626F	BA7626FS
Package	SOP16	SSOP-A16
Input type	Bias (R=20kΩ)	

#### ●Absolute Maximum Ratings (Ta=25°C)

Parameter	Symbol	Ratings	Unit
Supply voltage	Vcc	9	V
Power dissipation	BA7626F	300 ※1	mW
	BA7626FS	600 ※2	
Operating temperature	Topr	-25~+70	°C
Storage temperature	Tstg	-55~+125	°C

※1 Derating is done at 3.0mW/°C above Ta=25°C.(BA7626F)

※2 Derating is done at 6.0mW/°C above Ta=25°C.(BA7626FS)

#### ●Operating Range (Ta=25°C)

Parameter	Symbol	Ratings			Unit
		Min.	Typ.	Max.	
Power supply voltage	Vcc	4.5	5.0	5.5	V

**●Electrical characteristics** (Unless otherwise noted Ta=25°C, Vcc=5.0V)

Parameter	Symbol	Limits			Unit	Conditions
		Min.	Typ.	Max.		
Circuit current	ICC	—	15.0	20.0	mA	—
Maximum output level	Vom	2.3	2.5	—	Vp-p	f=1kHz, THD=0.5%
Voltage gain	G <sub>V</sub>	5.7	6.2	6.7	dB	f=1MHz, V <sub>IN</sub> =1Vp-p
Interchannel crosstalk	G <sub>T</sub>	—	-65	-45	dB	f=4.43MHz, V <sub>IN</sub> =1Vp-p
Mute level	CTM	—	-35	-25	dB	f=4.43MHz, V <sub>IN</sub> =1Vp-p
Frequency characteristic	G <sub>F</sub>	-3	0	+3	dB	10MHz/1MHz, V <sub>IN</sub> =1Vp-p
Input impedance	Z <sub>IN</sub>	16	20	24	kΩ	—
CTL pin switching level	V <sub>TH</sub>	2.2	—	3.3	V	—

※ This product is not designed for protection against radioactive rays.

**●Truth table**

Input			Output	Input			Output	Input			Output
A	B	E	MONOUT	C	D	E	VOUT1	C	D	E	VOUT2
L	L	※	IN1	L	L	※	—	L	L	※	IN1
H	L	※	IN2	H	L	※	IN2	H	L	※	—
L	H	※	IN3	L	H	※	IN3	L	H	※	IN3
H	H	L	IN4	H	H	L	IN4	H	H	L	IN4
H	H	H	IN5	H	H	H	IN5	H	H	H	IN5

※ Indicates "don't care"(H or L)

●Block diagram

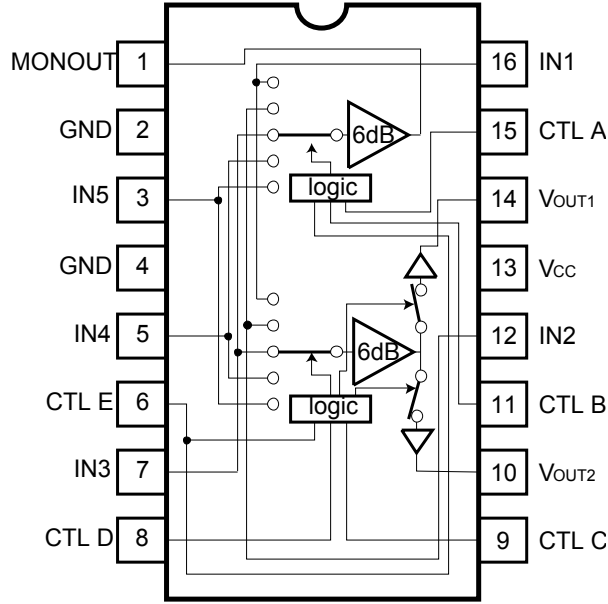


Fig.1 Block diagram

●Application circuit

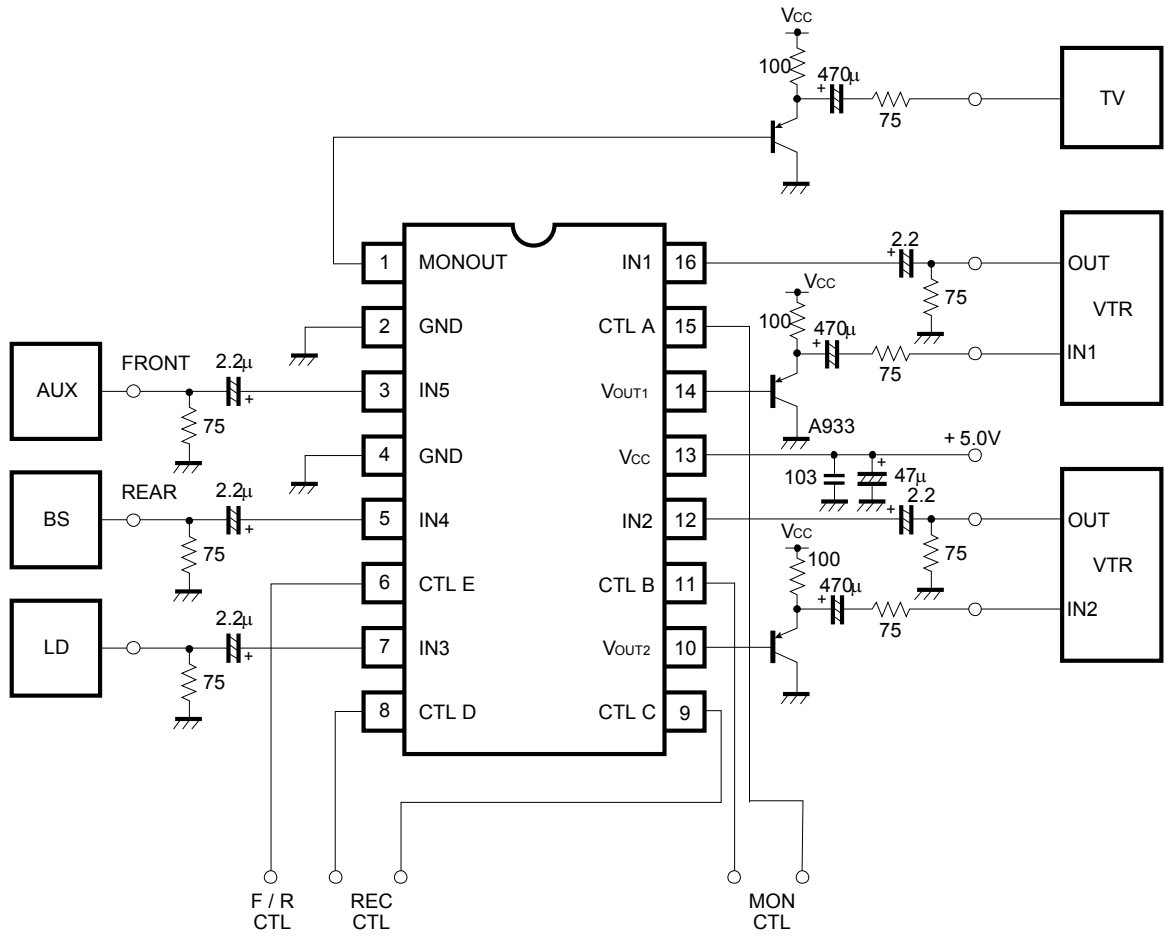


Fig.2 Application circuit

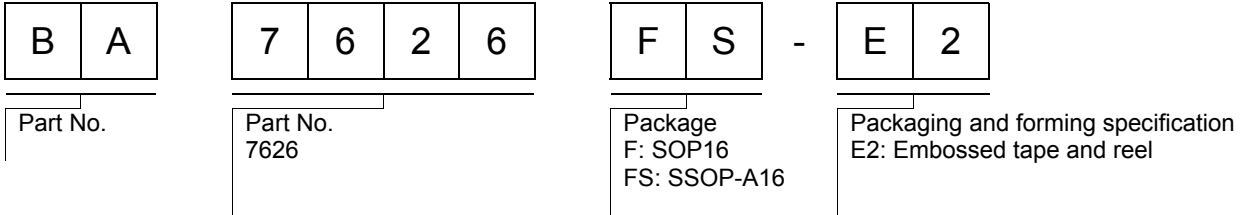
●Pin descriptions (Ta=25°C, VCC=5V)

Pin No.	Pin name	Equivalent circuit
		BA7626F/FS
3 5 7 12 16	IN5 IN4 IN3 IN2 IN1	
6 8 9 11 15	CTLE CTLD CTLC CTLB CTLA	
1	MONOUT	
10 14	VOUT2 VOUT1	

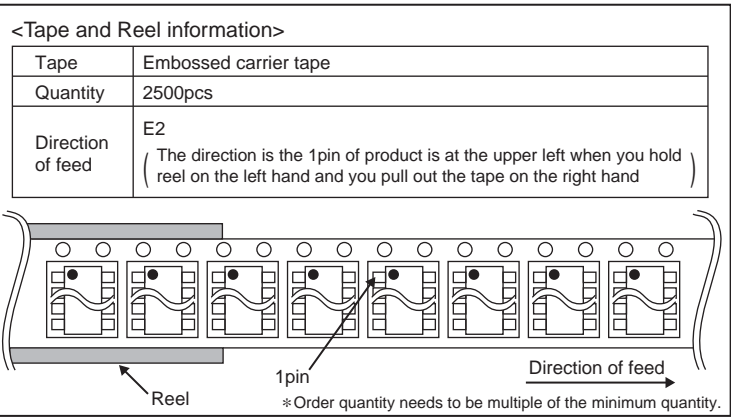
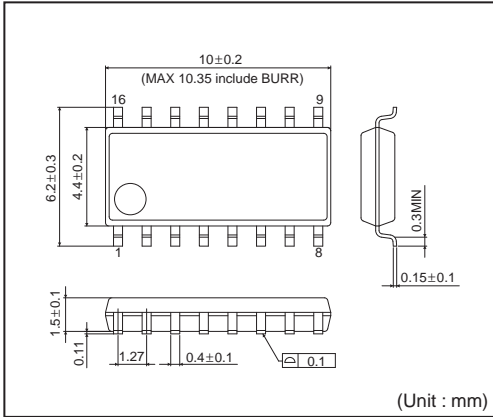
## ●Notes for use

- 1) Numbers and data in entries are representative design values and are not guaranteed values of the items.
- 2) Although we are confident in recommending the sample application circuits, carefully check their characteristics further when using them. When modifying externally attached component constants before use, determine them so that they have sufficient margins by taking into account variations in externally attached components and the Rohm LSI, not only for static characteristics but also including transient characteristics.
- 3) Absolute maximum ratings  
If applied voltage, operating temperature range, or other absolute maximum ratings are exceeded, the LSI may be damaged. Do not apply voltages or temperatures that exceed the absolute maximum ratings. If you think of a case in which absolute maximum ratings are exceeded, enforce fuses or other physical safety measures and investigate how not to apply the conditions under which absolute maximum ratings are exceeded to the LSI.
- 4) GND potential  
Make the GND pin voltage such that it is the lowest voltage even when operating below it. Actually confirm that the voltage of each pin does not become a lower voltage than the GND pin, including transient phenomena.
- 5) Thermal design  
Perform thermal design in which there are adequate margins by taking into account the allowable power dissipation in actual states of use.
- 6) Shorts between pins and misinstallation  
When mounting the LSI on a board, pay adequate attention to orientation and placement discrepancies of the LSI. If it is misinstalled and the power is turned on, the LSI may be damaged. It also may be damaged if it is shorted by a foreign substance coming between pins of the LSI or between a pin and a power supply or a pin and a GND.
- 7) Operation in strong magnetic fields  
Adequately evaluate use in a strong magnetic field, since there is a possibility of malfunction.

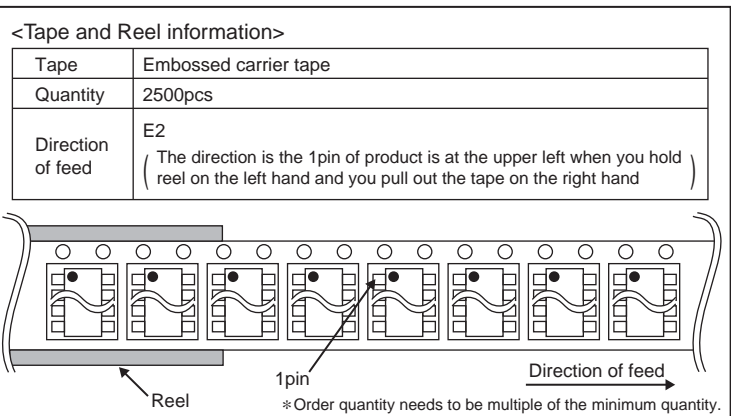
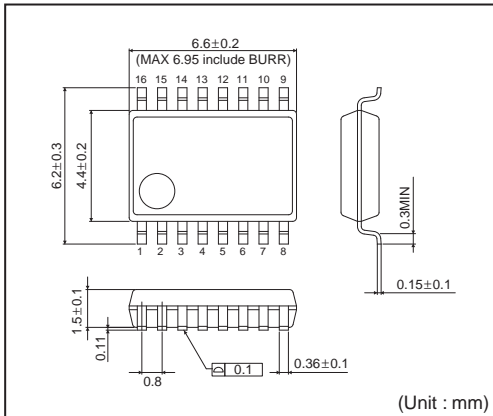
●Ordering part number



SOP16



SSOP-A16



## Notes

No copying or reproduction of this document, in part or in whole, is permitted without the consent of ROHM Co.,Ltd.

The content specified herein is subject to change for improvement without notice.

The content specified herein is for the purpose of introducing ROHM's products (hereinafter "Products"). If you wish to use any such Product, please be sure to refer to the specifications, which can be obtained from ROHM upon request.

Examples of application circuits, circuit constants and any other information contained herein illustrate the standard usage and operations of the Products. The peripheral conditions must be taken into account when designing circuits for mass production.

Great care was taken in ensuring the accuracy of the information specified in this document. However, should you incur any damage arising from any inaccuracy or misprint of such information, ROHM shall bear no responsibility for such damage.

The technical information specified herein is intended only to show the typical functions of and examples of application circuits for the Products. ROHM does not grant you, explicitly or implicitly, any license to use or exercise intellectual property or other rights held by ROHM and other parties. ROHM shall bear no responsibility whatsoever for any dispute arising from the use of such technical information.

The Products specified in this document are intended to be used with general-use electronic equipment or devices (such as audio visual equipment, office-automation equipment, communication devices, electronic appliances and amusement devices).

The Products specified in this document are not designed to be radiation tolerant.

While ROHM always makes efforts to enhance the quality and reliability of its Products, a Product may fail or malfunction for a variety of reasons.

Please be sure to implement in your equipment using the Products safety measures to guard against the possibility of physical injury, fire or any other damage caused in the event of the failure of any Product, such as derating, redundancy, fire control and fail-safe designs. ROHM shall bear no responsibility whatsoever for your use of any Product outside of the prescribed scope or not in accordance with the instruction manual.

The Products are not designed or manufactured to be used with any equipment, device or system which requires an extremely high level of reliability the failure or malfunction of which may result in a direct threat to human life or create a risk of human injury (such as a medical instrument, transportation equipment, aerospace machinery, nuclear-reactor controller, fuel-controller or other safety device). ROHM shall bear no responsibility in any way for use of any of the Products for the above special purposes. If a Product is intended to be used for any such special purpose, please contact a ROHM sales representative before purchasing.

If you intend to export or ship overseas any Product or technology specified herein that may be controlled under the Foreign Exchange and the Foreign Trade Law, you will be required to obtain a license or permit under the Law.



Thank you for your accessing to ROHM product informations.  
More detail product informations and catalogs are available, please contact us.

### ROHM Customer Support System

<http://www.rohm.com/contact/>